

# Product data sheet

Specifications



## circuit breaker EasyPact Ezc250F - TMD - 225 A - 3 poles 3d

Ezc250F3225

### Main

|  |   |
|--|---|
| Range of product                       | EasyPact  |
| Product or component type              | Circuit breaker   |
| Device short name                      | Easypact Ezc250F  |
| Circuit breaker name                   | Easypact Ezc250F  |
| Device application                     | Distribution  |
| Poles description                      | 3P  |
| Protected poles description            | 3t  |
| Network type                           | DC<br>AC  |
| Network frequency                      | 50/60 Hz  |
| [In] rated current                     | 225 A at 40 °C  |
| [Ui] rated insulation voltage          | 690 V AC 50/60 Hz conforming to IEC 60947-2   |
| [Uimp] rated impulse withstand voltage | 6 kV conforming to IEC 60947-2  |
| [Ue] rated operational voltage         | 550 V AC 50/60 Hz conforming to IEC 60947-2<br>250 V DC conforming to IEC 60947-2   |
| Breaking capacity code                 | F   |
| Breaking capacity                      | 10 kA Icu at 440 V AC 50/60 Hz conforming to IEC 60947-2<br>15 kA Icu at 400...415 V AC 50/60 Hz conforming to IEC 60947-2<br>18 kA Icu at 380 V AC 50/60 Hz conforming to IEC 60947-2<br>25 kA Icu at 110...130 V AC 50/60 Hz conforming to IEC 60947-2<br>25 kA Icu at 220...240 V AC 50/60 Hz conforming to IEC 60947-2<br>5 kA Icu at 125 V DC 1P conforming to IEC 60947-2<br>5 kA Icu at 250 V DC 2P conforming to IEC 60947-2<br>5 kA Icu at 550 V AC 50/60 Hz conforming to IEC 60947-2 |
| [Ics] rated service breaking capacity  | 9 kA at 380 V AC 50/60 Hz conforming to IEC 60947-2<br>12.5 kA at 110/130 V AC 50/60 Hz conforming to IEC 60947-2<br>12.5 kA at 220/230/240 V AC 50/60 Hz conforming to IEC 60947-2<br>2.5 kA at 125 V DC conforming to IEC 60947-2<br>2.5 kA at 250 V DC conforming to IEC 60947-2<br>2.5 kA at 550 V AC 50/60 Hz conforming to IEC 60947-2<br>9 kA at 400/415 V AC 50/60 Hz conforming to IEC 60947-2<br>7.5 kA at 440 V AC 50/60 Hz conforming to IEC 60947-2                                |
| Suitability for isolation              | Yes conforming to IEC 60947-2   |
| Utilisation category                   | Category A  |
| Trip unit name                         | TM-D  |
| Trip unit technology                   | Thermal-magnetic  |
| Trip unit rating                       | 225 A at 50 °C  |

|                         |  |
|-------------------------|--|
| <b>Protection type</b>  | Short-circuit protection<br>Overload protection          |
| <b>Pollution degree</b> | 3 conforming to IEC 60664-1<br>3 conforming to IEC 947-1 |

## Complementary

|                                   |   |
|-----------------------------------|---|
| <b>Control type</b>               | Toggle  |
| <b>Mounting mode</b>              | Fixed   |
| <b>Mounting support</b>           | Backplate   |
| <b>Upside connection</b>          | Front   |
| <b>Downside connection</b>        | Front   |
| <b>Mechanical durability</b>      | 10000 cycles  |
| <b>Electrical durability</b>      | Category A: 5000 cycles 415 V AC 50/60 Hz conforming to IEC 60947-2 |
| <b>Connection pitch</b>           | 35 mm   |
| <b>Local signalling</b>           | Positive contact indication   |
| <b>Neutral protection setting</b> | Without protection  |
| <b>Earth-leakage protection</b>   | Without   |
| <b>Height</b>                     | 165 mm  |
| <b>Width</b>                      | 105 mm  |
| <b>Depth</b>                      | 60 mm   |

## Environment

|  |   |
|--|---|
| <b>Standards</b>                             | JIS C8201-2-2<br>EN/IEC 60947-2<br>EN/IEC 60947-1<br>GB/T 14048.2 |
| <b>IP degree of protection</b>               | IP20 conforming to IEC 60529                                      |
| <b>IK degree of protection</b>               | IK07 conforming to IEC 62262                                      |
| <b>Ambient air temperature for operation</b> | -25...70 °C   |
| <b>Ambient air temperature for storage</b>   | -35...85 °C   |

## Packing Units

|                                     |          |
|-------------------------------------|----------|
| <b>Unit Type of Package 1</b>       | PCE      |
| <b>Number of Units in Package 1</b> | 1        |
| <b>Package 1 Weight</b>             | 1.64 kg  |
| <b>Package 1 Height</b>             | 11.4 cm  |
| <b>Package 1 width</b>              | 11.3 cm  |
| <b>Package 1 Length</b>             | 18 cm    |
| <b>Unit Type of Package 2</b>       | PAL      |
| <b>Number of Units in Package 2</b> | 108      |
| <b>Package 2 Weight</b>             | 182.0 kg |
| <b>Package 2 Height</b>             | 61 cm    |
| <b>Package 2 width</b>              | 80 cm    |
| <b>Package 2 Length</b>             | 120 cm   |
| <b>Unit Type of Package 3</b>       | S03      |

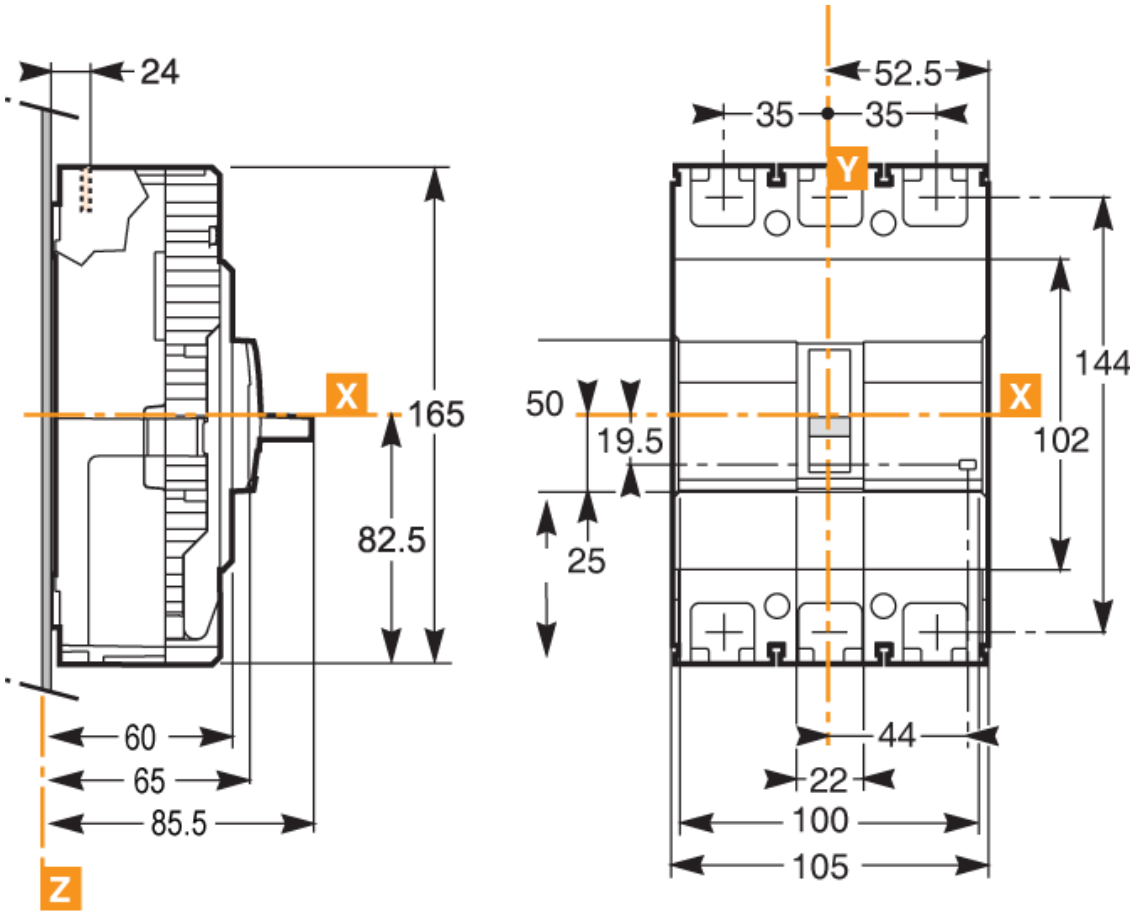
|                                     |          |
|-------------------------------------|----------|
| <b>Number of Units in Package 3</b> | 8        |
| <b>Package 3 Weight</b>             | 13.61 kg |
| <b>Package 3 Height</b>             | 30 cm    |
| <b>Package 3 width</b>              | 30 cm    |
| <b>Package 3 Length</b>             | 40 cm    |

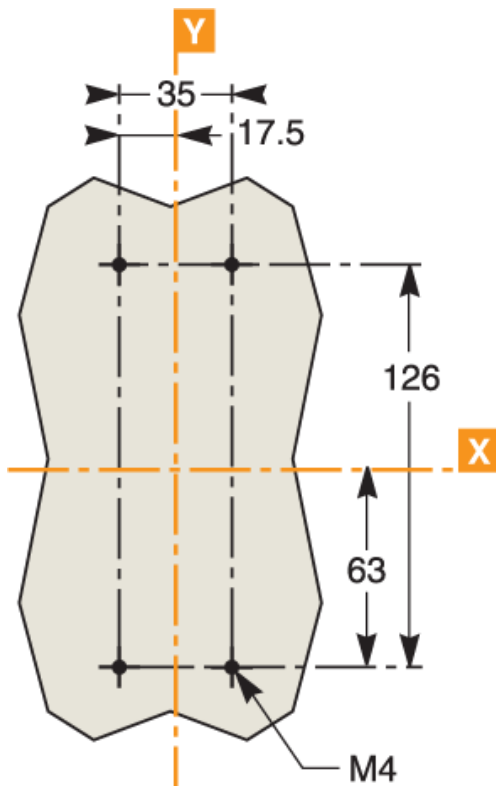
## Offer Sustainability

|                                   |   |
|-----------------------------------|---|
| <b>Sustainable offer status</b>   | Green Premium product   |
| <b>REACH Regulation</b>           | <a href="#">REACH Declaration</a>   |
| <b>REACH free of SVHC</b>         | Yes   |
| <b>EU RoHS Directive</b>          | Compliant<br><a href="#">EU RoHS Declaration</a>  |
| <b>Toxic heavy metal free</b>     | Yes   |
| <b>Mercury free</b>               | Yes   |
| <b>RoHS exemption information</b> | <a href="#">Yes</a>   |
| <b>China RoHS Regulation</b>      | <a href="#">China RoHS declaration</a>  |
| <b>Environmental Disclosure</b>   | <a href="#">Product Environmental Profile</a>   |
| <b>WEEE</b>                       | The product must be disposed on European Union markets following specific waste collection and never end up in rubbish bins |

## Contractual warranty

|                 |           |
|-----------------|-----------|
| <b>Warranty</b> | 18 months |
|-----------------|-----------|





Performance Curves

